

The Application Note is pertinent to the Focus 3 Family

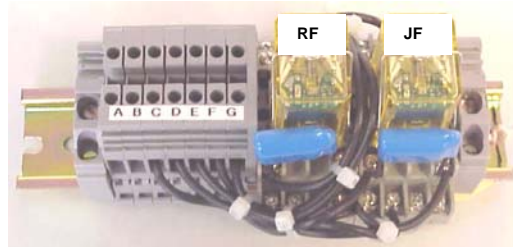
Focus 3 – 120vac Remote Pushbuttons

This application note shows how to configure a Focus 3 chassis mount units for remote pushbutton operation. Two schemes are given:

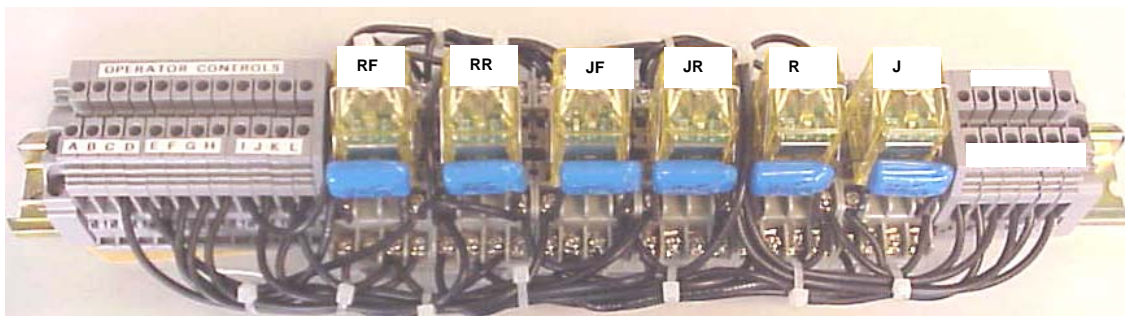
- 1) **Single Directional** applications – for **F3N2C** or **F3N5C**
- 2) **Reversing** applications- for **F3R2C** or **F3R5C**

Both scenarios include Run and Jog functions. These pre-wired kits are available from Control Techniques Service Center ready to install with minimal customer wiring needed. Relays used are mounted on DIN rail for quick panel mounting and provide a visual indication (led indicator) when energized for easy troubleshooting.

Kit P/N ACIF-2R-Focus – Run / Stop & Jog (Single Directional Applications)
for **F3N2C** or **F3N5C**



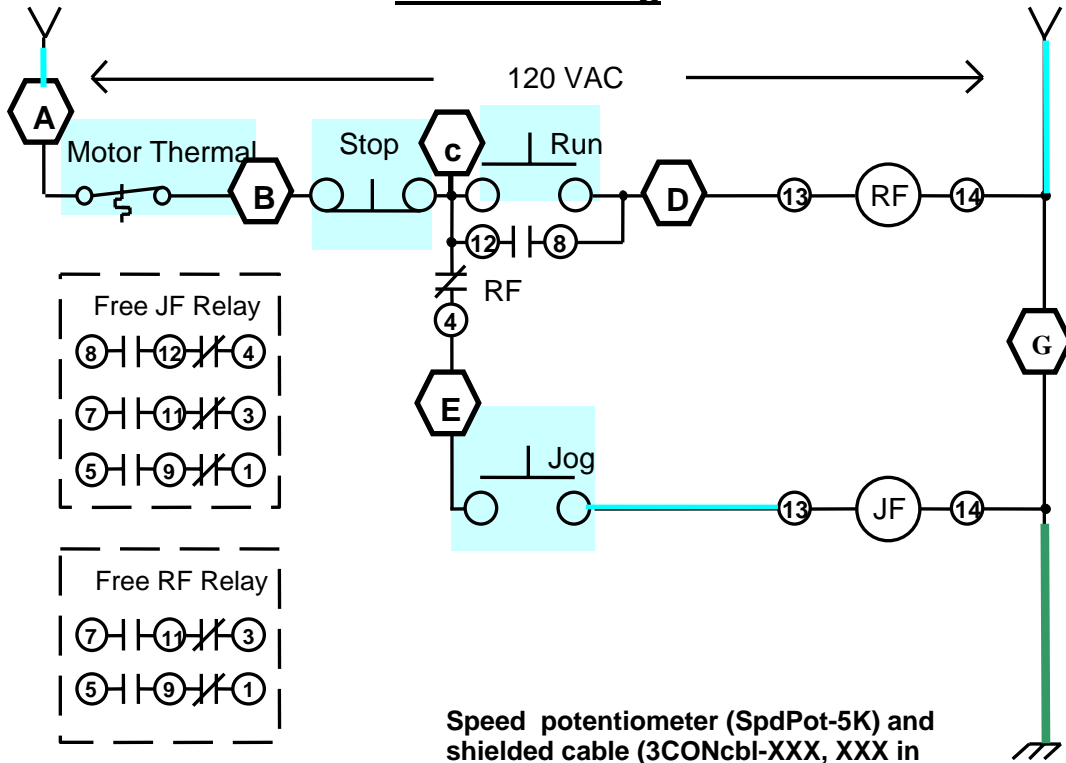
Kit P/N ACIF-6R-Focus –Run Fwd / Run Rev & Jog Fwd / Jog Rev (Reversing Applications)
for **F3R2C** or **F3R5C**



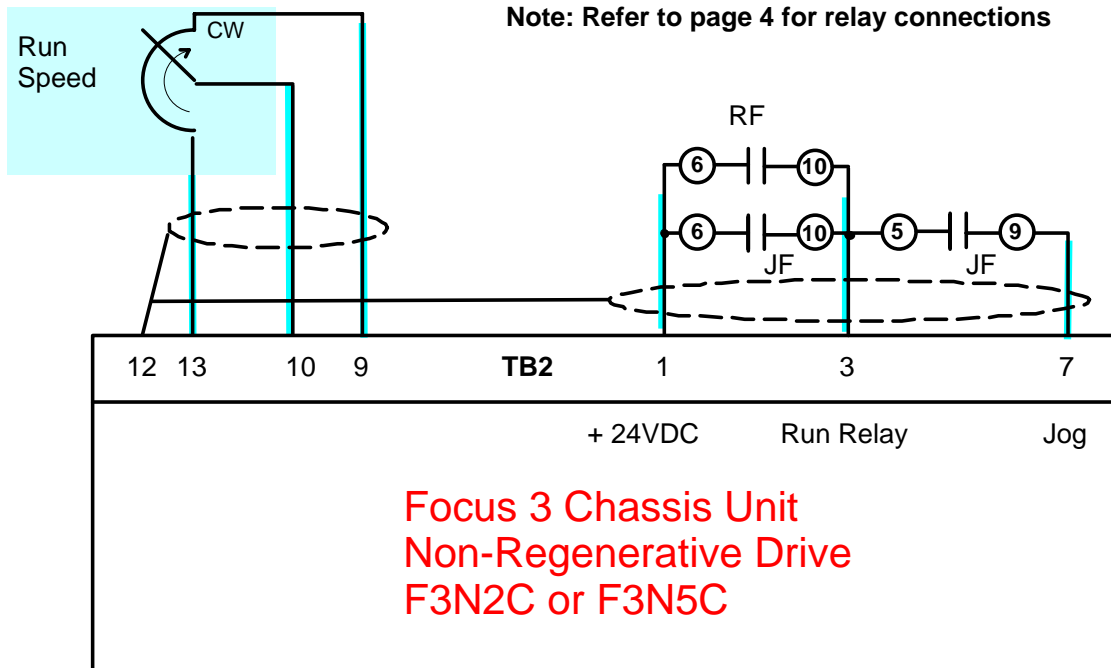
These pre-wired kits are available from:

Control Techniques Service Center – 1-800-367-8067

Non-Reversing

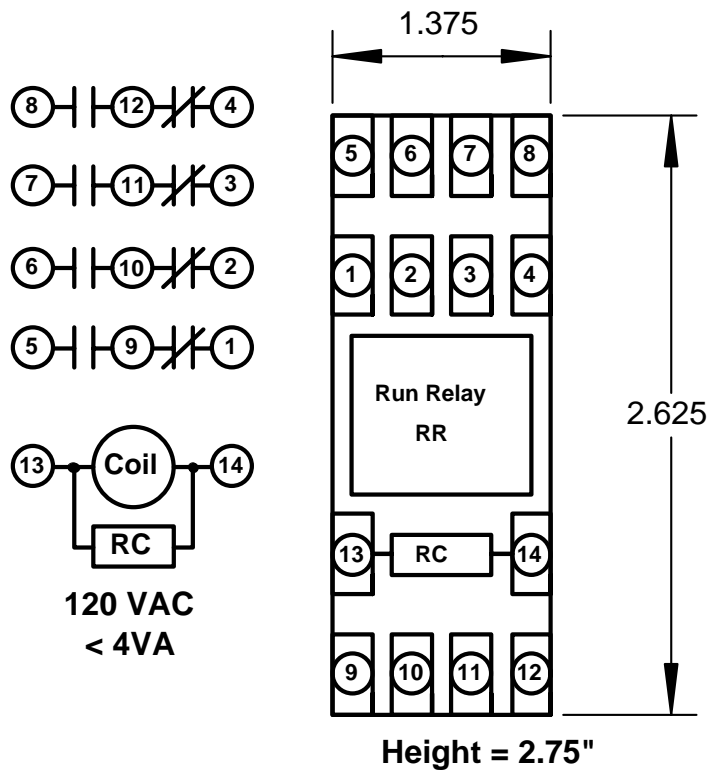


Control Techniques Service Center
1-800-367-8067



Note: The shaded blue area are customer connections for Operator Controls etc. The other terminal designations and wiring are pre-wired interconnections of the kit itself to facilitate application and quick installation- (reduces customer wiring errors and debug time)

Relay socket connections



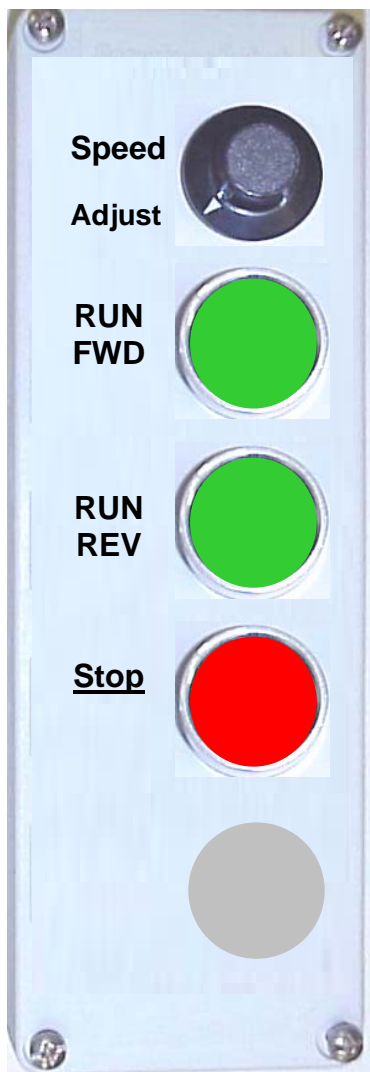
An ideal complement to the above Interface kits are our Remote Operator Controls.

Operator Start/Stop/Jog Station

The following Operator stations reduce the hassle of punching holes and finding proper Operator Controls suitable to operate our Drives

They come housed in a NEMA 4 enclosure with conduit knockouts and mounting holes in each corner. Various configurations are available based on application requirements, consult factory.

2950-9068-custom



2950-9066-custom



Reference Instruction Sheet: CTIS#103

Questions: Ask the author ?? Steve Zaleski

Email: <mailto:steve.zaleski@emersonct.com>
Tel: 716-774-1193