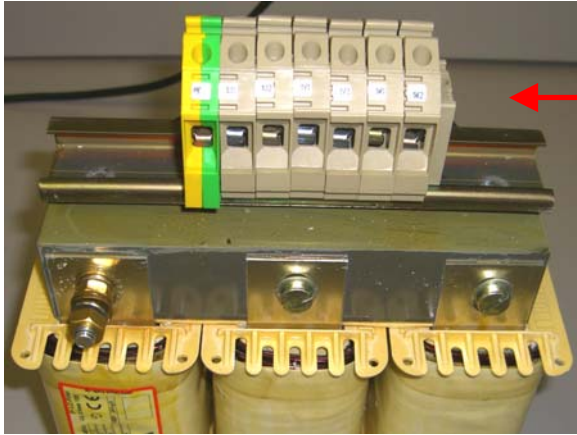
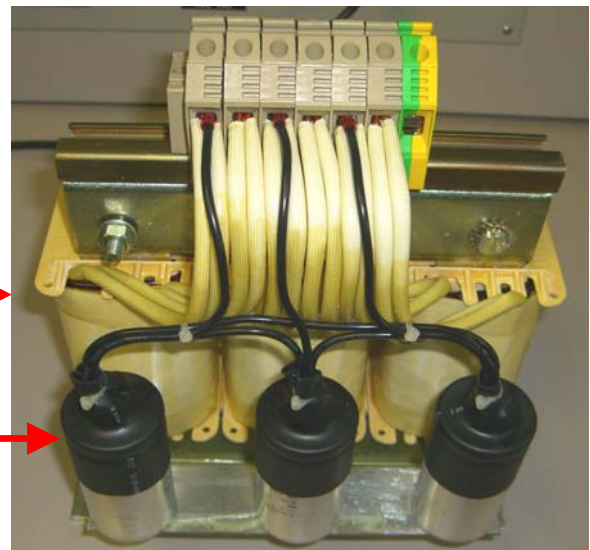


The Technical Note is pertinent AC Drives

Power Connections to the Sine Wave Output Filter

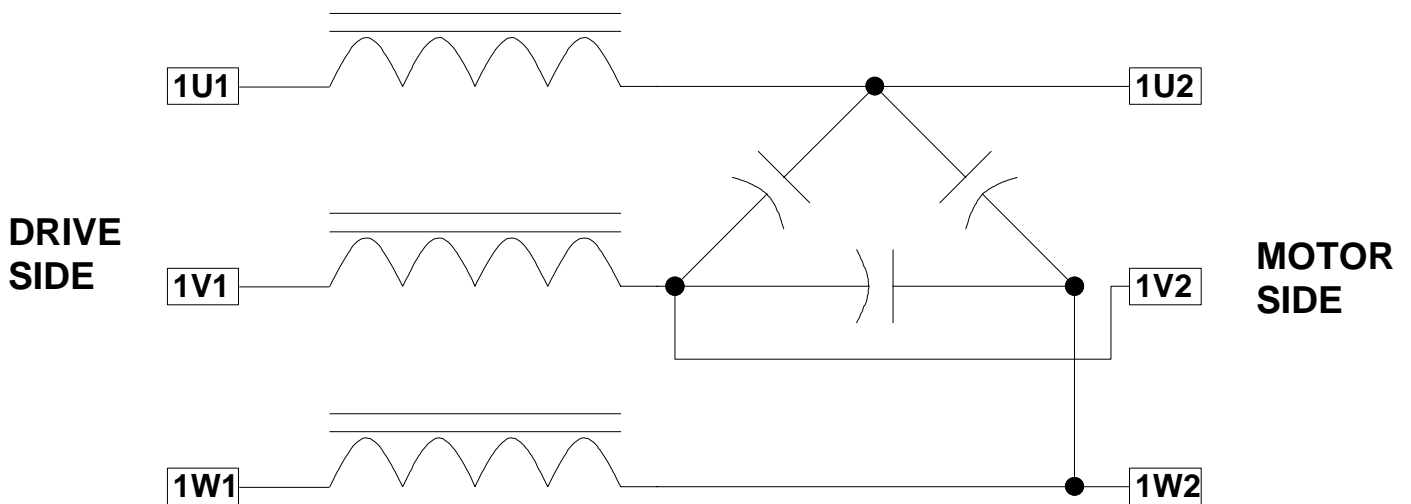


Customer Connection
side of Terminal Block

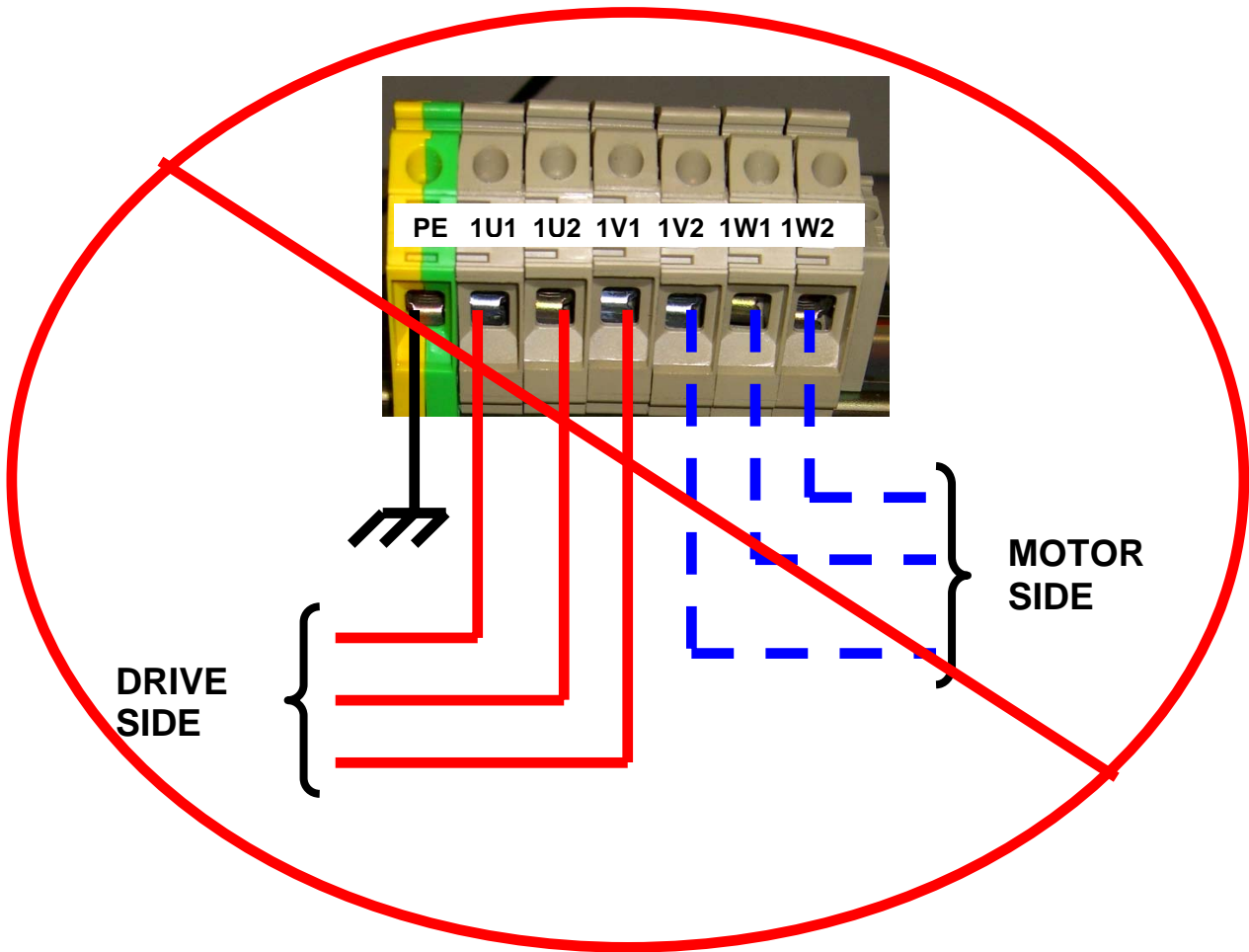
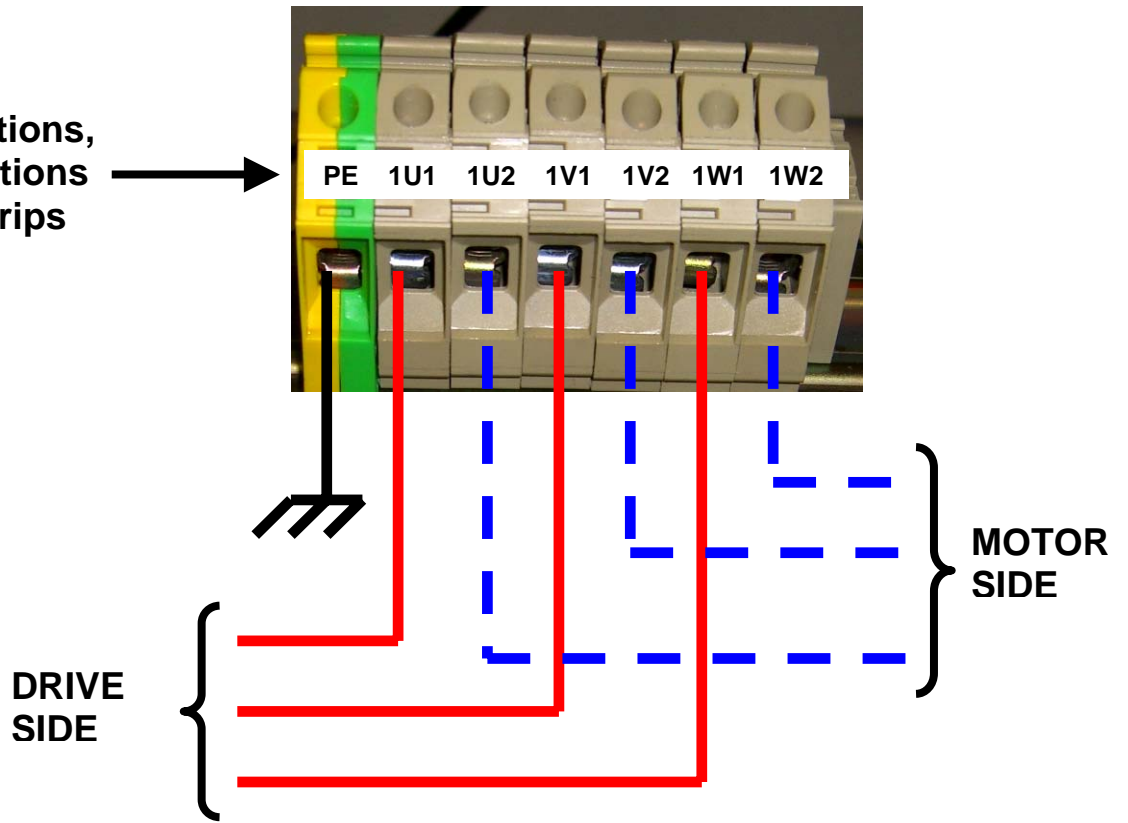


Filter Inductors

Filter Capacitors



Please observe terminal designations, incorrect connections will cause drive trips



For technical support, please contact Control Techniques Support @ 1-800-367-8067